

Electromagnetic Lock 600lbs

KEM-S600M



The KEM-S600M Electromagnetic Lock 600lbs from our Quality line features excellent holding force and industrial grade specifications to meet most conventional access control requirements.

Its built-in protection features are designed to optimise product lifespan and safeguard the controller.

All KHL products are carefully sourced and developed by our team of engineering specialists and professional consultants in the security, communications and networking field. The 3-year warranty demonstrates our confidence in product quality and commitment to customer service.



Dual voltage (12VDC/24VDC)



Built in EMF protection



Industrial grade durability



Monitoring contact



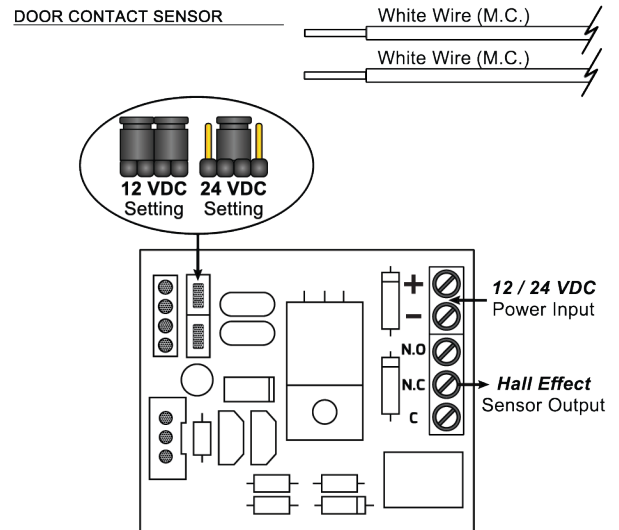
LED indication of EM-Lock status



3-year warranty

Other Features

- Hall effect sensor monitoring output
- Built-in Mag. Contact for door status monitoring
- Cosmeticize anodized aluminum body
- Full range of optional brackets
- Anti residual magnetism kick off button
- 3 years warranty on manufacturer's defects



Attention: Default jumper settings = 12VDC

Specifications:

Voltage Input:	12VDC/24VDC
Current Draw:	12V/510mA; 24V/285mA (±5%)
Holding Force:	Up to 600lbs (272kg)
Anti-Rust Surface Treatment:	Blue Zinc Plating
Operation Temperature:	0~55°C (32~131°F)
Operating Humidity:	0~95% (Non-condensing)
Dimension (L x W D):	Magnet – 250 x 42 x 25mm Armature – 186 x 38 x 11mm



KHL reserves all rights to modify the design, specifications or price without notice. All information stated within this document are current at time of publication.

Ver.03-0422

